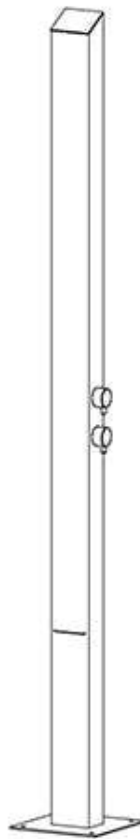




## OUTDOOR SHOWER INSTALLATION INSTRUCTIONS



Thank you for choosing our outdoor shower panel.

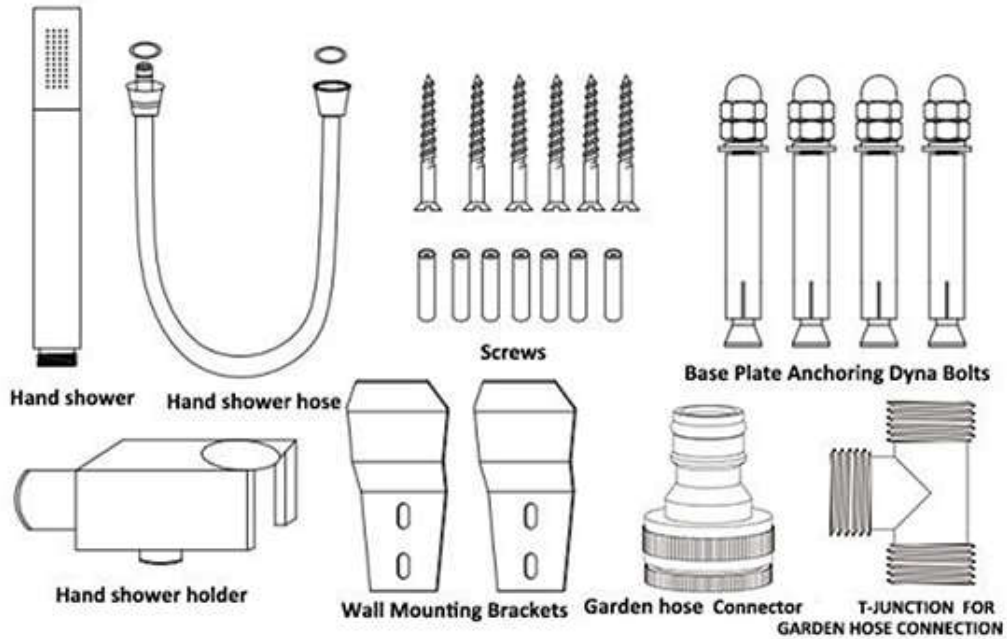
Please read these instructions carefully before you install your new shower.

**AS MUCH AS THIS IS A FULLY PLUMBED IN SHOWER PANEL SYSTEM, WE STRONGLY SUGGEST USING A LICENCED PLUMBER FOR YOUR SHOWER PANEL INSTALLATION.**

(Please Note, these are General installation instructions. Not all shower models will have the same functions or features, i.e. foot wash or massage jets)

# Table of Contents

## Accessories



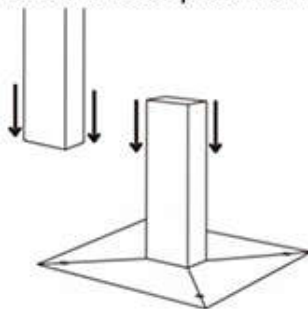
## Installation

### OPTION A:

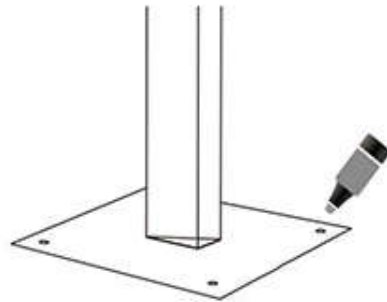
### **FREESTANDING SHOWER PANEL INSTALLATION**

This method is to be used if you would like to install this unit as a Freestanding Shower using the base plate (Not Wall Mounted).

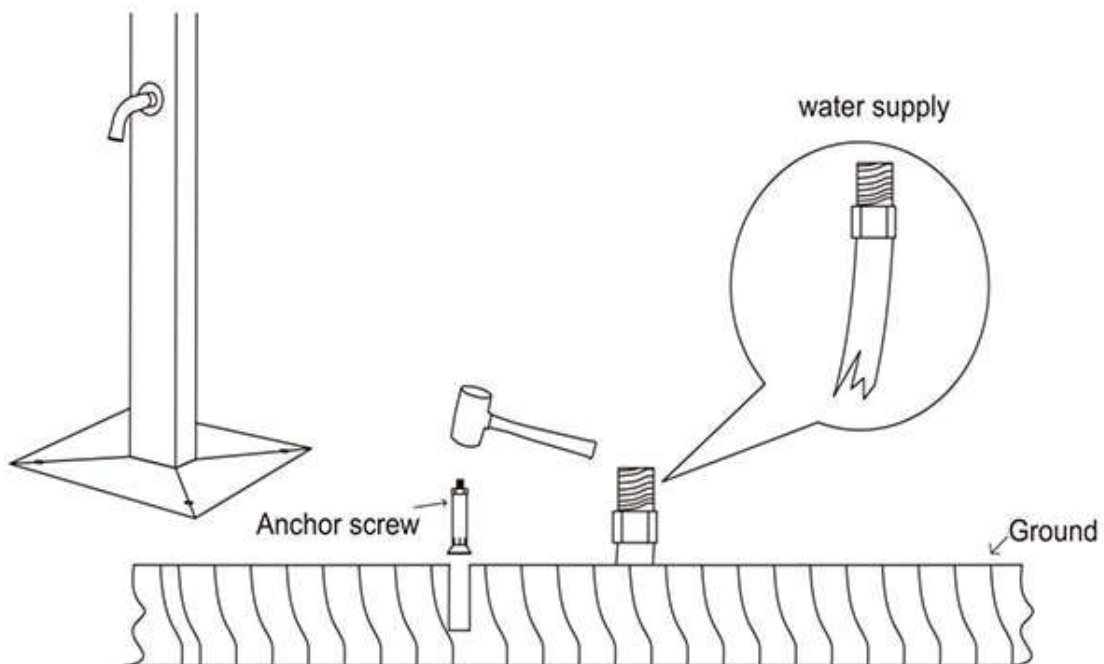
1. Decide where you would like to position your shower, i.e. next to a swimming pool, on the decking or in your backyard.
2. Remove the base plate from the shower panel (simply slide it out)



3. Mark the position of the four holes in the base plate on the ground for where your anchoring dyna bolts will be secured

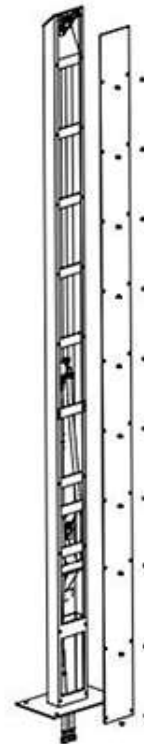


4. Position/Run your Hot & Cold Mains water pipes & bring the pipes to a height of 320mm/12.6" above the ground finished with the male iron union
5. Use an electric drill to drill holes for dyna bolts on the ground where you have marked.
6. Punch the four anchor screws/dyna bolts into the prepared holes in the ground.

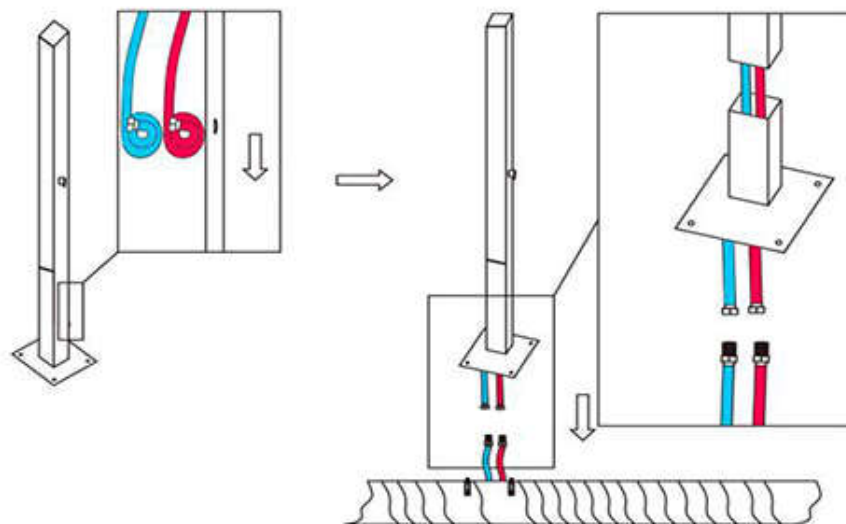


7. Secure the base plate using the 4 x Dyna bolts on top of the pipes, with pipes protruding through the center of the base

8. Remove the back panel of the shower



9. Connect the braided hoses with male iron unions to the female unions supplied with the easy hooks inside the shower panel to the ground water outlet (if your shower has a hot and cold mixer, the blue braided hose connects to the cold-water outlet and the red braided hose connects to the hot water outlet).



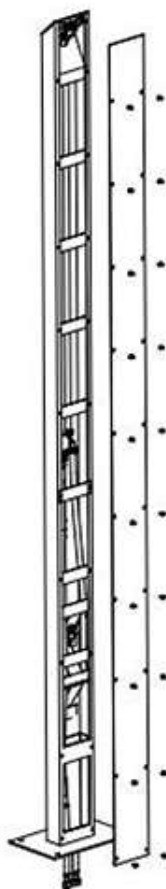
10. Re-attach the back panel and Enjoy Your New Shower !

## OPTION B:

### WALL MOUNTING SHOWER PANEL INSTALLATION

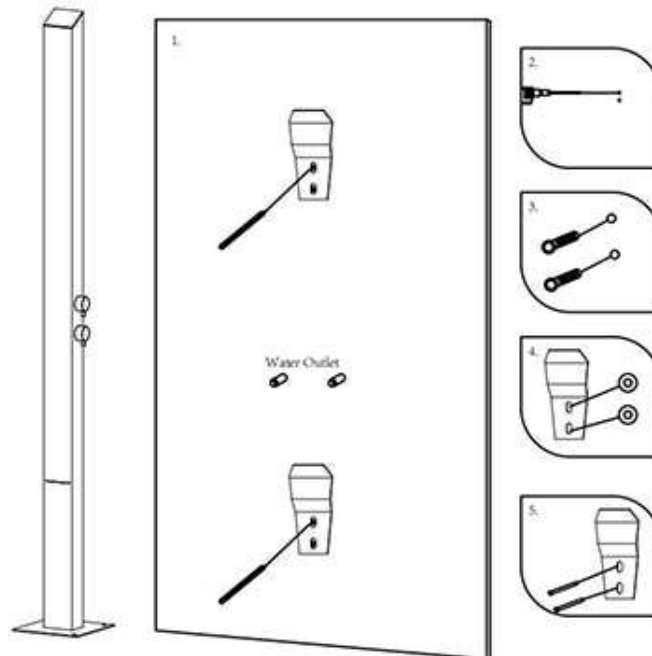
This method is to be used if you would like to wall mount this unit. Please note, the **Base Plate will Not be required** for this method of installation.

1. In order to wall mount this shower you will need to remove the back panel first



2. Fix the 2 wall mounting brackets, that are supplied with the shower, to the wall where you would like the shower to be positioned and where the water mains have been set up. Make sure to space the mounting brackets to fit the cross bars at the rear of the shower panel.
3. Connect your shower to the Main Hot & Cold-water supply & mount the shower panel by the cross bars on to the mounting brackets

4. Once the wall mounting installation is complete, seal the sides of the shower panel with clear silicone on either side of the shower panel and Enjoy Your New Shower!



**OPTION C:**

**COLD WATER CONNECTION ONLY THROUGH GARDEN HOSE**

This shower can also be connected to a Garden Hose rather than your mains if you wish to use Cold Water Supply Only.

This connection can be used in either Option A or Option B.

The shower comes with all the necessary accessories attachments in your hardware pack for it to be connected to a garden hose.

These connections can be used either from the bottom of the unit, or if you want to connect it from the side or from the back then your plumber will need to punch an extra hole in the shower panel.



## Cleaning Recommendations

Modern faucet and shower products utilize a combination of materials to comply with needs of the market with regards to design and functionality. To avoid damage, it is necessary to use some caution when cleaning. Damage caused by improper treatment is not covered under the warranty.

### Cleaning Materials for Faucets and Showers

- To remove lime scale, use only products made specifically for that purpose. Always follow the manufacturer's

#### Instructions when using:

- Do not use cleaners that contain hydrochloric formic acetic, or phosphoric acids, as there will cause considerable damage to finish and to plastic components.
- Never mix cleaning materials.
- Never use cleaners containing abrasives, do not use abrasive cleaning cloths, pads or sponges.

### Cleaning Procedures

- Clean your faucets and shower products as and when required. Regular cleaning will prevent scale buildup and water spotting.
- Follow the label instructions, do not allow any cleaner to remain on the product for longer than necessary.
- When using spray cleaners, spray first onto a sponge or cloth do not spray directly onto product.
- After cleaning, rinse thoroughly with clean water to remove any cleaner residue.

### Important

- Soap and shampoo residue can also cause damage to the product. Rinse well with clean water after use.
- If the surface is already damaged, harsh cleaning materials will cause further damage.

## WARRANTY

### General Warranty Description:

Your shower comes with manufacturer warranty for your Piece of Mind.

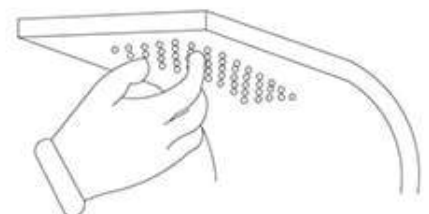
Please see below:

-Stainless Steel Frame is covered under manufacturer's warranty for 10 Years from the date of purchase

-All Components are covered under manufacturer's warranty for 12 months from the date of purchase

### Scale removal & Technical data

The Spray channels of the over-head shower are protected by the self-cleaning system. If scale deposits are noticed in the spray Channels turn the water on lightly and tap the spray channels with a finger and a sponge.



Operating pressure:	Max 102psi
Recommended pressure:	60-80psi
Max Hot water temperature:	80°C
Flow rate 70psi:	2gpm
Hand shower:	<1gpm each

Protection against back siphonage is provided by check valves in the hot and cold supply elbows. Know and follow all applicable local plumbing codes when setting the temperature on the water heater.

### Trouble shooting

Problem	Possible Cause	Remedy
There is not enough water.	The supply pressure is low.	Check the water pressure. If a pump has been installed, check to see if the pump is working.
	The thermostat cartridge filters are dirty.	Clean the thermostat filters.
	The screen washer is dirty.	Clean the screen washer between the shower and hose.
Hot water is being forced into the cold-water pipe (or vice-versa) when the mixer is closed.	Check if valves are dirty or leaking.	Clean the check valves and replace if necessary.
Output temperature does not correspond with temperature set.	The handle is not adjusted well.	Adjust the handle.
	The temperature of the hot water is too low.	Reset the limit stop of high temperature.
The temperature is not adjustable.	The temperature regulator is dirty or calcified.	Clean the temperature regulator or replace if necessary.
	The shower panel is cross connected.	Connect the supply hoses to correct supplies.
The diverter control is stiff.	The diverter cartridge is defective or dirty.	Clean the diverter cartridge or replace the diverter cartridge if necessary.
The output temperature is too hot.	The limit switch on the cartridge is not adjusted correctly.	Adjust the limit switch on the cartridge (see figure 1). 1.Take off the handle and cover. 2.Turn the limit switch According to the direction of the arrow. 3.Install the handle and cover.