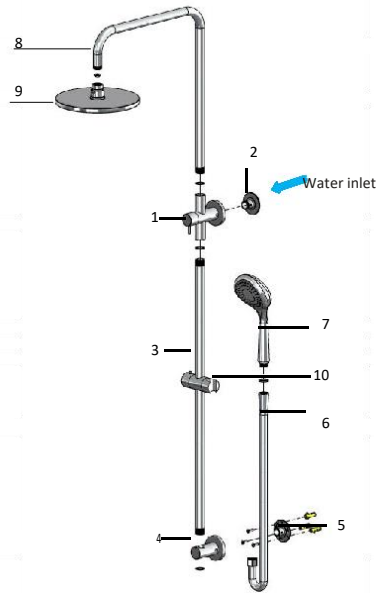


1. Diverter body
2. Inlet Fitting
3. Bottom rail
4. Bottom bracket
5. Bottom mounting bracket
6. Shower hose
7. Hand shower
8. Top arm
9. Shower rose
10. Hand shower bracket



1. Determine the desired height from the finished floor to the G 1/2" outlet (this is done at the rough-in stage before finishing the wall).
2. Measure the location of the bottom mount from the top outlet location (the bottom bracket is adjustable as per **Fig. A**) drill out the mounting holes and install the bottom mounting bracket (part 5).
3. Screw the shower inlet fitting (part 2) to the exposed G 1/2" fitting (as per **Fig. B.**) now install the top arm (part 8) and bottom rail (part 3) into the diverter body (part 1) as per **Fig. B.**
4. Slide the bottom bracket (part 4) over the rail, now place the diverter body onto the inlet fitting (part 2) and adjust the bottom bracket to meet the bottom mounting bracket (part 5) once both the top and bottom mounts are correct, tighten the mounting bracket grub screws as per **Fig. C.**
5. Attach the hand shower (part 7) and shower hose (part 6) to the bracket (part 10) as per **Fig. D.**

Fig. A

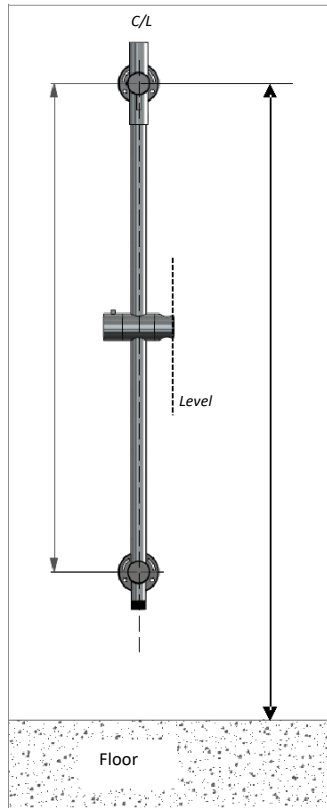


Fig. B

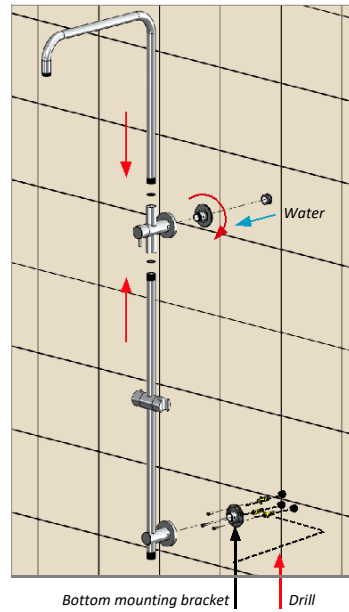


Fig. C

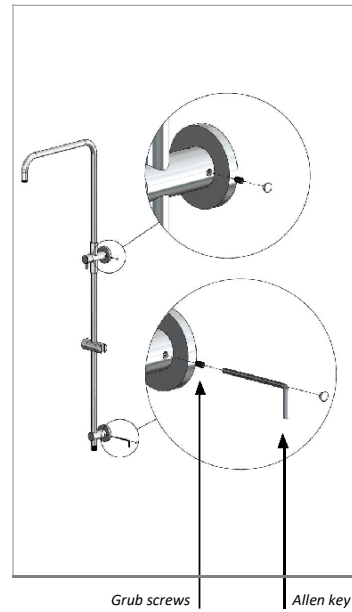
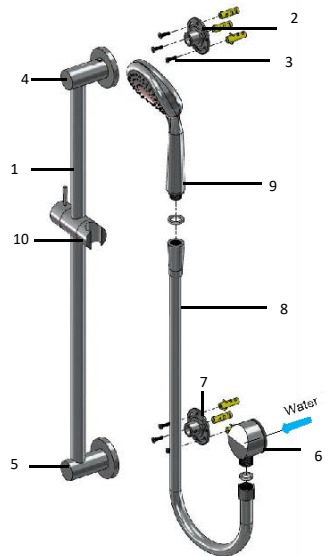


Fig. D





- 1. Body
- 2. Top mounting bracket
- 3. Screw
- 4. Top bracket
- 5. Boom bracket
- 6. Elbow
- 7. Boom mounting bracket
- 8. Shower hose
- 9. Hand shower
- 10. Hand shower bracket

1. Determine the desired height from the finished floor to the G1/2B outlet for the inlet elbow (this is done at the rough-in stage before finishing the wall).
2. Measure the location of the bottom and top mount location as per **Fig. A**, drill out the mounting holes and install the bottom and top mounting bracket (part 7 and part 2) as per **Fig. B**.
3. Attach the bottom and top mounts to the mounting brackets that are installed on the wall and tighten the grub screws, as per **Fig. C**.
4. Attach the hand shower (part 9) and shower hose (part 8) to the bracket (part 10)

Fig. A

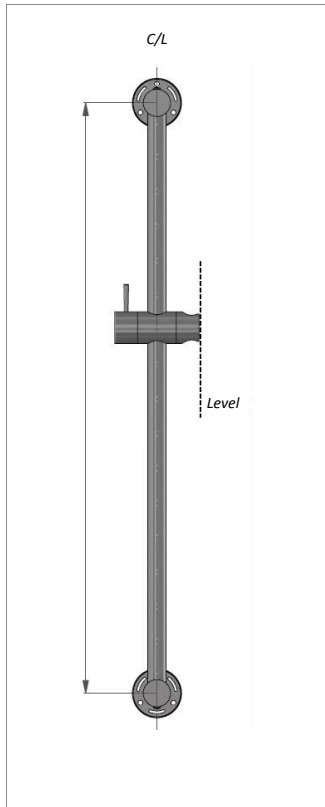


Fig. B

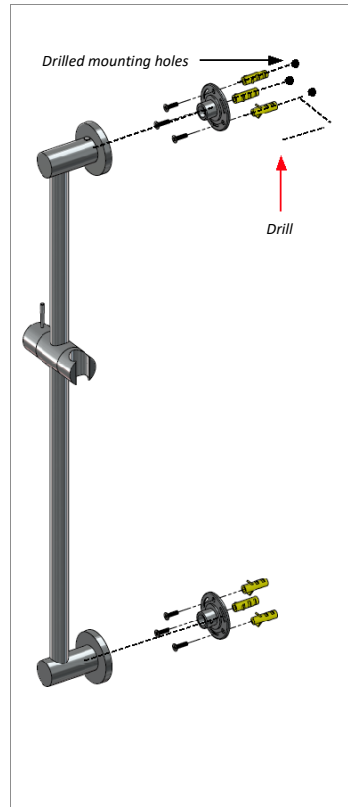


Fig. C

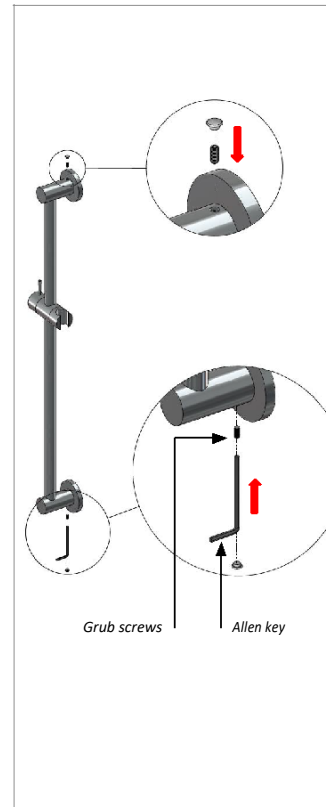
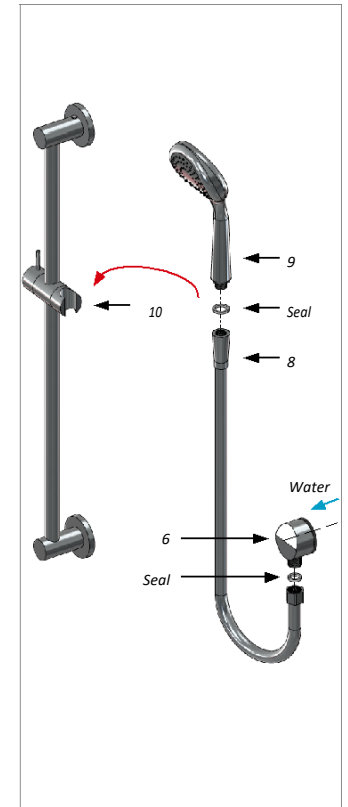
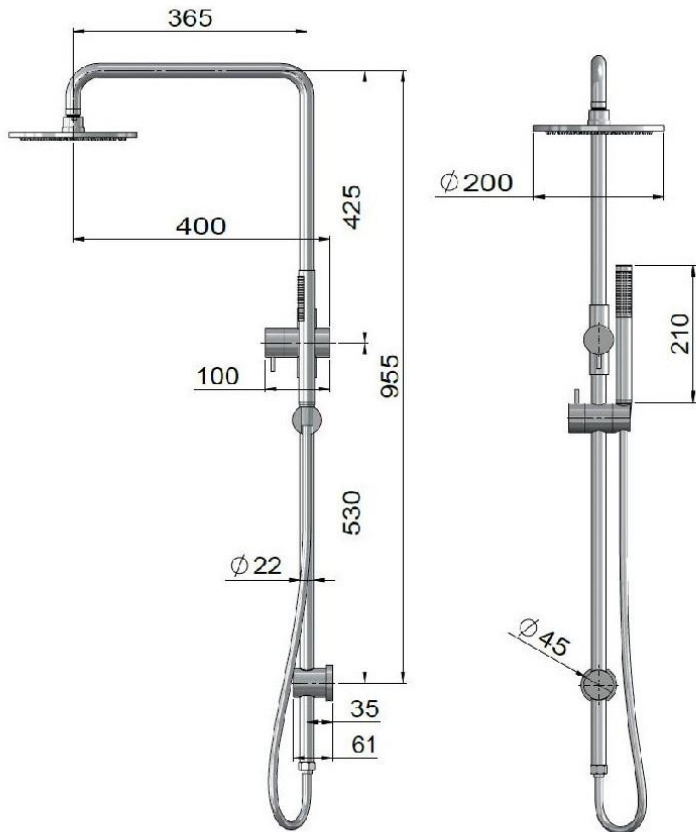


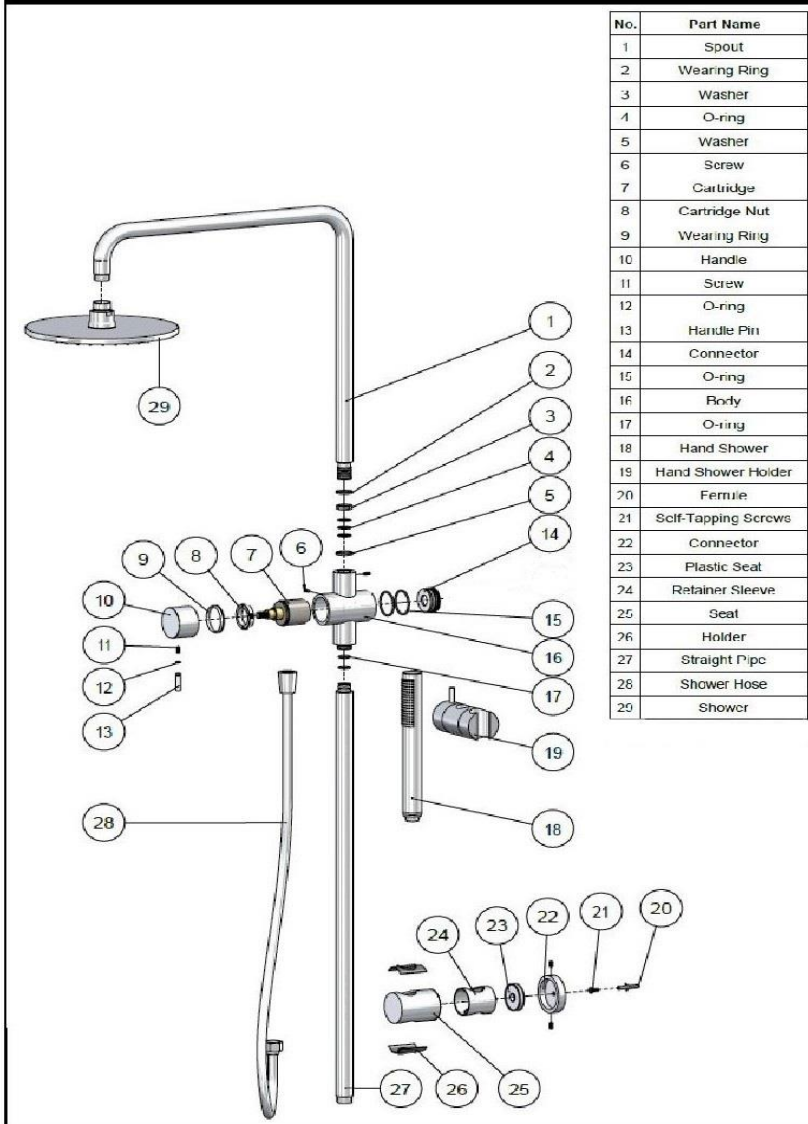
Fig. D



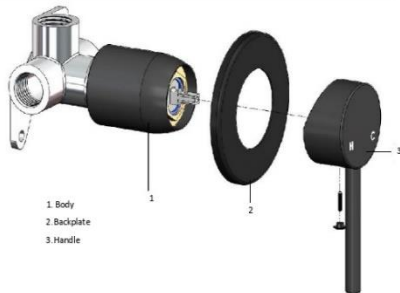
SPECIFICATIONS



EXPLODED VIEW



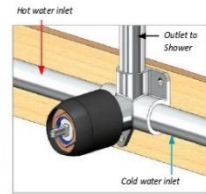
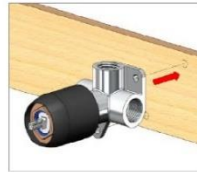
WALL MIXER



1. Fix the body of the mixer to a suitable fixing plate or noggin. Ensure the mixer is level and will have enough of the body exposed to install the plate (part 2) and handle (part 4).

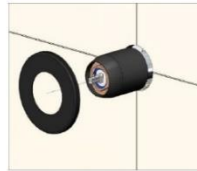
IMPORTANT: Ensure the plastic protector cover remains over the body during installation.

2. Install the hot (on the left) and cold (on the right) water connections. Once all the fittings have been tightened, check for leaks and correct operation of the mixer.

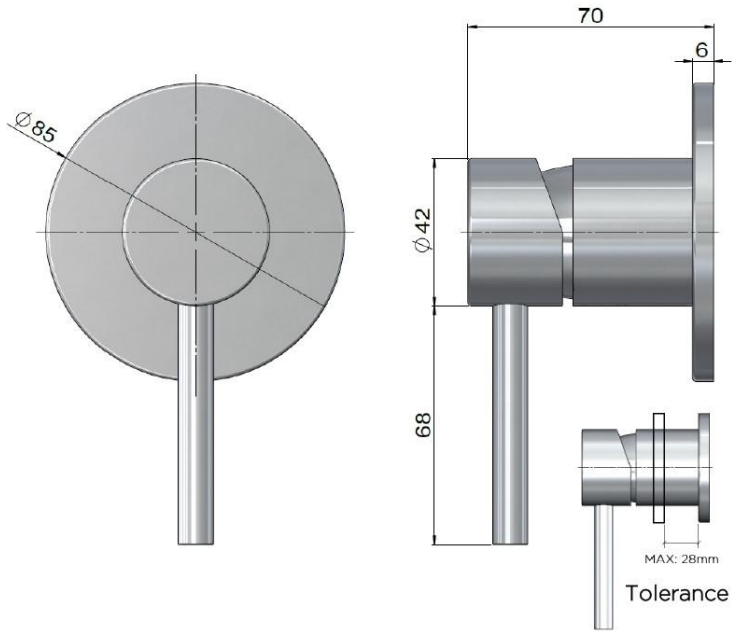


3. Remove the protective covers and carefully slide the back-plate (part 2) over the mixer/diverter bodies until it is firm against the wall (it is recommended to apply a clear sealant behind the back-plate to ensure water cannot run behind the plate).

4. Fit the handle (part 3) ensuring they are secured correctly after tightening.



SPECIFICATIONS



EXPLODED VIEW

No.	Part Name
1	Plastic Cover
2	Ferrule
3	Screw
4	Body
5	Cartridge Sleeve
6	Cartridge
7	Cartridge Nut
8	Decor Cover
9	O-ring
10	Back Plate
11	Handle
12	Ferrule
13	Grub Screw
14	Handle Pin

